

General & Safety Information

- Wear proper personal protective equipment (PPE).
- Operate all tools per manufacturer guidelines.
- Standard woodworking saws and blades can be used for cutting Fypon® polyurethane (PUR) products.
- Fypon PUR parts are NOT load bearing.
- For remodeling applications and alternative façades like stucco, vinyl, etc., please refer to Fypon General Remodeling and Alternate Façade Instructions, which can be found at fypon.com/install.
- For best results, finish and allow to dry prior to installation. Refer to Fypon General Finishing Instructions, which can be found at fypon.com/install.
- All Fypon products must be installed per the following instructions and finished within 90 days of installation to maintain warranty coverage.

Tools / Materials

- Pencil
- Tape measure
- Level
- Square
- Saw (if cutting to match roof pitch)
- Hammer or pneumatic nailer
- Nail countersink
- Drill / driver (if using screws)
- Putty knife
- Sandpaper (220-grit recommended)
- Caulk gun
- Exterior-grade polyurethane-compatible sealant and / or filler
- Exterior-grade polyurethane-compatible adhesive (Loctite® PL Premium® recommended)
- Exterior-grade fasteners (trim-head screws recommended)

Installation Instructions

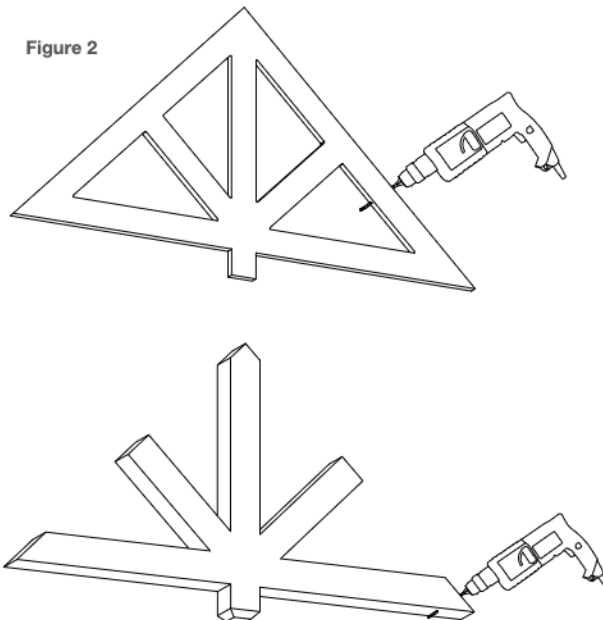
1) Cut gable pediment to match roof pitch (if necessary).

Measure the area where the gable pediment will fit and cut it to match the roof pitch, if required.

2) Mark installation area and pre-drill fastener locations.

Hold the gable pediment in place and mark the desired location. Make sure fasteners can anchor to solid material, and pre-drill fastener locations if needed (Figure 2). Fastener locations should be no more than 16" apart.

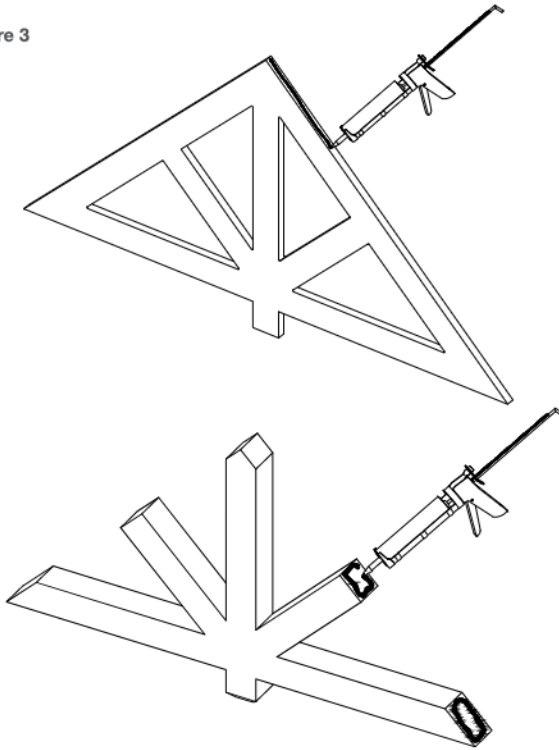
Figure 2



3) Apply adhesive.

Apply a 1/4" bead of adhesive to the mounting surfaces of the gable pediment (Figure 3).

Figure 3



4) Fasten.

Press the pediment into place and fasten with exterior-grade fasteners (Figure 4), making sure to countersink them below the surface. Fasteners should be no more than 16" apart. Remove any excess adhesive.

5) Fill and sand fastener holes.

Fill fastener holes with filler and sand to match surrounding area, if needed, but be careful not to remove the primer.

6) Touch up or finish.

Refer to Fypon® General Finishing Instructions. If part was finished prior to installation, touch up filled fastener holes with color-matched finish. Caulk around top and sides with sealant.

Figure 4

